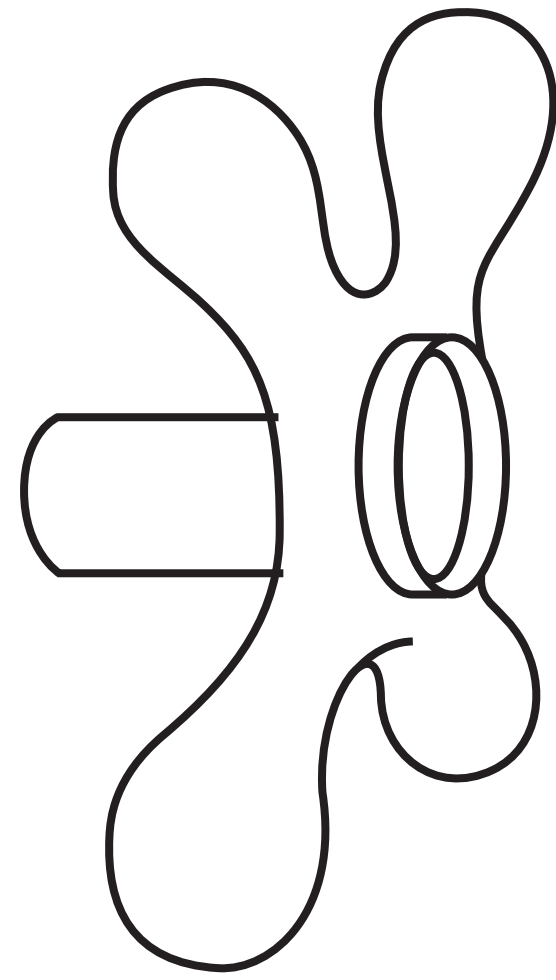


Flange

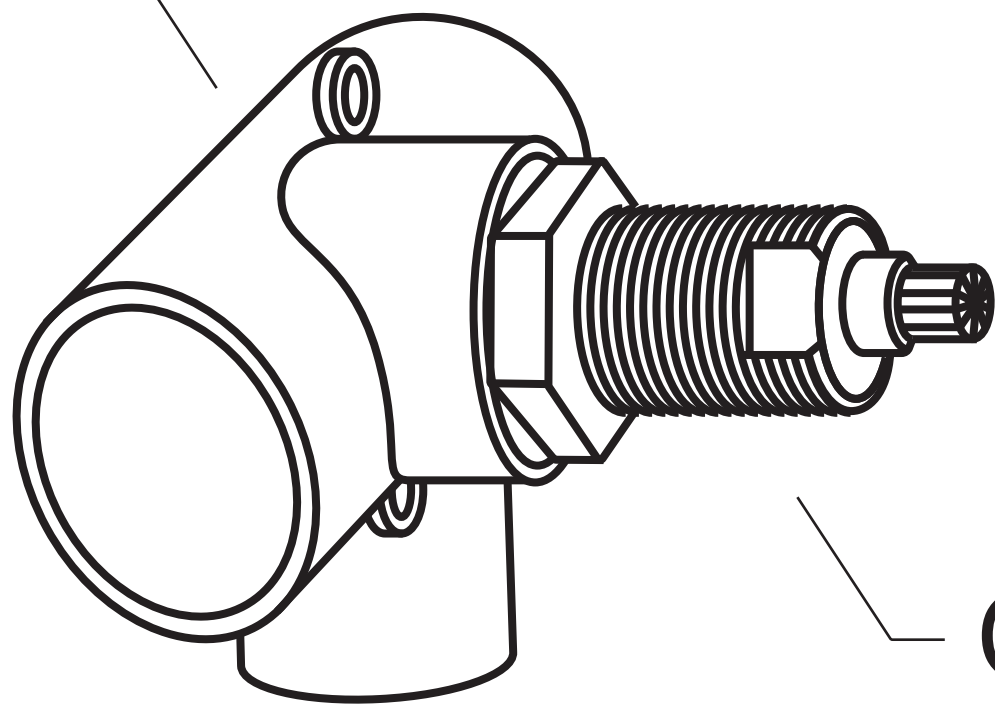


Handle



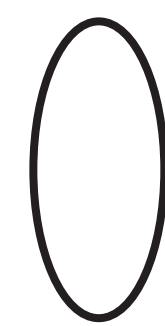
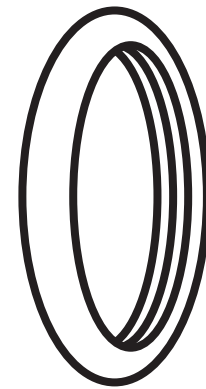
Screw

Body valve



Cartridge

Threaded ring



Insert